

Panasonic®

Super Dynamic II Color Surveillance Cameras WV-CP460 Series



SDII
Super Dynamic

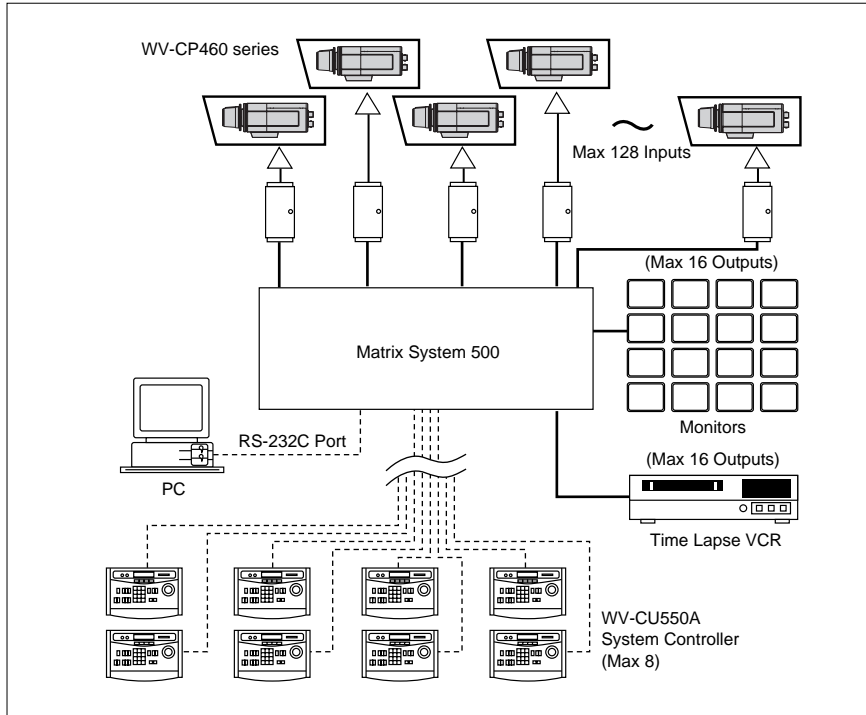
New from Panasonic--the WV-CP460 series, the next generation in color cameras, using our newly developed Super Dynamic II function. The WV-CP460 series are equipped with a newly developed 1/3-type color CCD and digital signal processing, for a dynamic range 64 times that of previous cameras. It images subjects more naturally and clearly, even with back lighting or at entryways, with their harsh contrasts between light and dark. Using an F1.4 lens for low light conditions, this highly sensitive camera operates even with only 0.8lx (0.08 fc) of available light--and offers digital enhancement to boost sensitivity up to 32 times. That means it delivers full-color surveillance in areas that formerly were too dark to monitor. That sensitivity is back by a robust set of additional features, including motion detector and error-prevention camera title displays. Flexibly configured with other Panasonic system equipment, the WV-CP460 series are ideal for surveillance systems large and small.

The Panasonic WV-CP460's powerful suite of features delivers color surveillance in a wide range of CCTV applications.

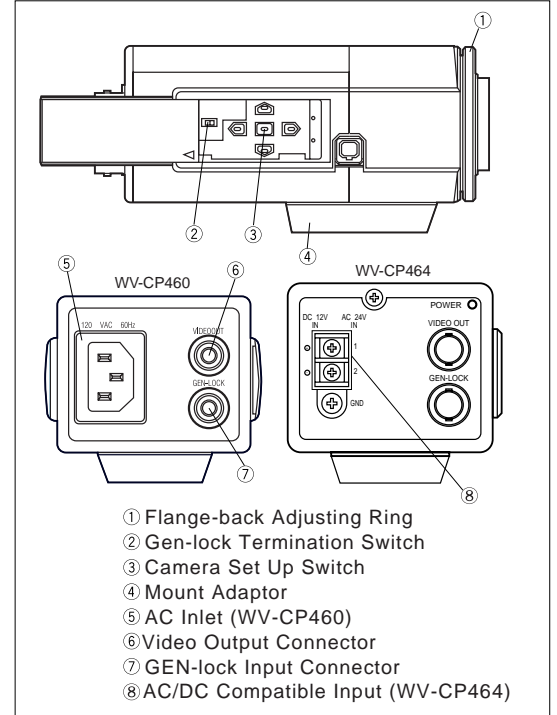
Key Features

- Built in Super DynamicII function which can widen the dynamic range comparing with previous cameras.
- 1/3-type double speed CCD color image sensor.
- Highly sensitivity 0.8lx (0.08fc) at F1.4.
- Durable and deterrent design for security applications.
- 480-line horizontal resolution.
- 50dB of S/N ratio (at AGC off, weight on).
- Accept VD2 signal to synchronize all of cameras within the Panasonic surveillance products.
- Electronic shutters from 1/60 (off) to 1/ 10,000sec.
- Linear electric sensitivity up (32X).
- Built-in digital motion detector.
- Built-in alphanumeric character display.
- On-screen set-up menu.
- Gen-lock capability for the large system application.
- C/CS adjustable lens mount.
- Accept DC or video servo lenses.
- Product line-up are,
WV-CP460 ; 120V AC 60Hz
WV-CP464 ; accept both 24V AC & 12V DC in the same model

TYPICAL EXAMPLE



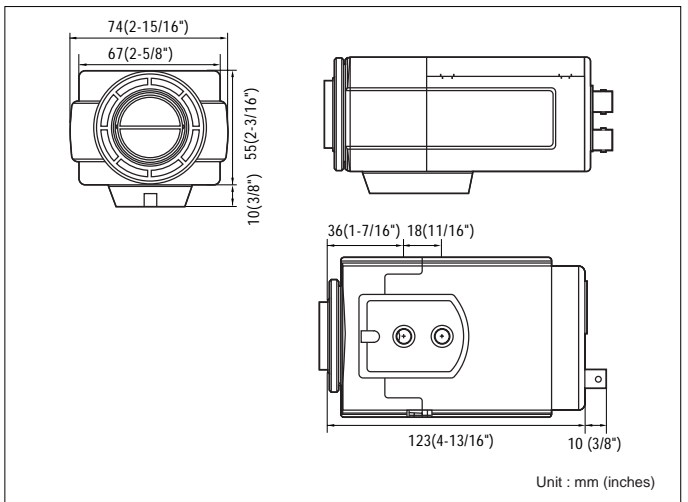
MAJOR OPERATING CONTROLS



SPECIFICATIONS

Model No.	WV-CP460	WV-CP464
Pick-up Device	771(H) x 492(V) pixels, Interline Transfer CCD	
Scanning Area	4.83(H) x 3.64(V) mm (Equivalent to 1/3" Tube)	
Scanning	525 Lines/60 Fields/30 Frames Horizontal 15.734 kHz, Vertical 59.94 Hz	
Scanning System	2:1 Interlace	
Synchronization	Internal/Line lock/Vd2 lock/VS lock/VBS lock	
Video Output	1.0V [p-p] NTSC composite/75	
Horizontal Resolution	480 TV lines	
S/N Ratio	50dB (min.) <luminance S/N> (at AGC Off, weight ON)	
Mini. Illumination	0.8lx (0.08fc) at F1.4, 0.4lx (0.04fc) at F0.75	
AGC	Selectable ON/OFF (SET UP MENU)	
White Balance	Selectable ATW/AWC (SET UP MENU)	
Dynamic Range	46dB (typical)	
Super Dynamic II	Selectable ON/OFF (SET UP MENU)	
Aperture	Variable (SET UP MENU)	
Electric Light Control	Equivalent to continuous variable shutter speed between 1/60 sec. and 1/10,000 sec.	
Character Generator	16 Alphanumeric Characters	
Set Up Menu	Camera ID ON/OFF, ALC/ELC, SHUTTER ON/OFF, AGC ON/OFF, SENSE UP OFF, SYNC modes, White balance ATW/AWC, Motion detector OFF/ON, Lens DC/Video, Chroma level VR, Aperture level VR, Pedestal level VR, Upside down switch	
Lens Mount	Selectable C-mount/CS-mount	
ALC Lens	Selectable DC/Video	
Ambient Temperature	Operating range -10 ~ +50° C (14° F ~ 122° F)	
Ambient Humidity	Operating range less than 90% RH	
Power Source	120V AC, 60Hz	24V AC/12V DC
Power Consumption	4.8W	4.9W (24VAC), 490mA (12VDC)
Dimensions	67 (W) x 55 (H) x 123 (D) mm (2-5/8" (W) x 2-3/16" (H) x 4-13/16" (D))	
Weight	410g (0.902 lbs) (without AC cable)	400g (0.88 lbs)

APPEARANCE



WIDE VARIETY OF OPTIONAL LENSES



• Weights and dimensions are approximate. • Specifications are subject to change without notice. • These products may be subject to export control regulations.

Panasonic

Panasonic Security & Digital Imaging Company

A Division of Matsushita Electric Corporation of America

Security Systems Group

Executive Office : One Panasonic Way 3E7, Secaucus, New Jersey 07094

Regional Office

Northeast : One Panasonic Way, Secaucus, NJ 07094 (201) 348-7303

Southern : 1225 Northbrook Parkway, Suite 1-160, Suwanee, GA 30024 (770) 338-6838

Western : 6550 Katella Ave., Cypress, CA 90630 (714) 373-7840

DISTRIBUTED BY:

PANASONIC CANADA INC.

5770 Ambler Drive, Mississauga, Ontario, L4W 2T3 Canada (905) 624-5010

PANASONIC SALES COMPANY

DIVISION OF MATSUSHITA ELECTRIC OF PUERTO RICO, INC.

San Gabriel Industrial Park 65th Infantry Ave. KM. 9.5 Carolina, P.R. 00985 (809) 750-4300

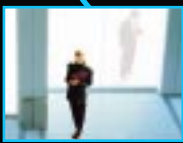
Panasonic®

The new 21st century security standard.

Dynamic Range

64 times

Set the aperture to the bright section, and the dark section is invisible.



Digital signal technology allows images with high contrast to be shown on screen



Set the aperture to the dark section, and the bright section is invisible.

WV-CS854

Optical video signal transfer
SLIP RING system



Minimum Illumination

0.06 lx (0.006 fc)



Current

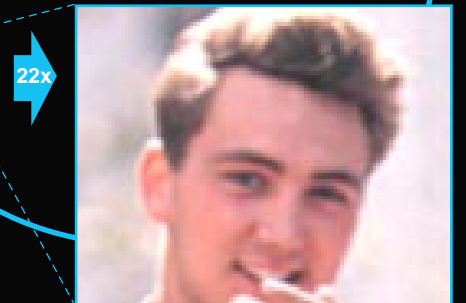


WV-CS854 at B/W mode

Powerful Zoom

220* times

*22 times optical zoom with 10 times electronic zoom lens.



Up to 220x zoom

Automatic changeover to

B/W mode



Day (Color mode)



Night (B/W mode)



The Panasonic WV-CS854 is all-in-one unit with 1/4-type CCD camera, 220 times zoom lens (22x optical with 10x electronic zoom), and rotating chassis with 110mm (4.3") compact diameter of dome size. Built-in *Super Dynamic II* function has 64 times wider dynamic range than conventional camera, 570-line B/W & 480-line color imaging resolution, Digital-Flip, Privacy zone masking, 32x electronic sensitivity enhancement, Motion detector, Patrol learn, Optical video signal transfer type SLIP RING, and etc. features equip the WV-CS854 to go beyond standard surveillance techniques. The WV-CS854, the answer for today's ever standing need for high performance surveillance products.

Super Dynamic II
Color Dome Camera

WV-CS854

Super Dynamic II

* All TV pictures are simulated.

Panasonic®

The new 21st century security standard.

Dynamic Range

64 times

Set the aperture to the bright section,
and the dark section is invisible.



Digital signal technology allows images
with high contrast to be shown on screen



Set the aperture to the dark section,
and the bright section is invisible.

WV-CP460 Series

Built-in digital

Motion detector



Minimum Illumination

0.8 lx (0.08fc) at F1.4



Current



WV-CP460 Series

Linear Electronic Sensitivity

32 times



off



Sensitivity 32 times on

New from Panasonic the WV-CP460 series, are equipped with a newly developed 1/3-type color CCD and digital signal processing, using our newly developed *Super Dynamic II* function has a 64 times wider dynamic range that of conventional cameras. Using an F1.4 lens for low light conditions, this highly sensitive camera operates even with only 0.8lx (0.08fc) of available light, and offers digital enhancement to boost sensitivity up to 32 times. Additional features, including motion detector and title displays. The Panasonic WV-CP460's powerful suite of features delivers color surveillance in a wide range of CCTV applications.



Super Dynamic II
Color Dome Camera **WV-CP460 Series**

SD II

Super Dynamic