

XC-ST70 XC-ST70CE

Component / OEM



OUTLINE

The XC-ST70/ST70CE incorporates a next generation 2/3-inch CCD into a new, compact black and white camera module. The XC-ST70/ST70CE is user-friendly with all switch settings on the rear panel and system-friendly with its flexible control and small size. With the built in electronic trigger shutter excellent images can be captured of even fast moving objects. Offering high picture quality and excellent sensitivity, the XC-ST70/ST70CE is ideal for a number of uses including industrial, microscopy, and machine vision applications.

FEATURES

- 2/3" IT HAD CCD
- Small and light weight: 44(W) x 29 (H) x 57.5 (D) mm, 105 g
- High sensitivity: 0.3 lx (F1.4)
- High S/N ratio: 60 dB
- Electronic shutter function (1/100 to 1/10,000 s)
- Flexible trigger shutter functions
 - simple trigger with internally generated VD and Write Enable (WEN)
 - exposure control with switches or trigger pulse width
- Readout on command (with VD input)
- 2:1 interlace/non-interlace
- Frame/field exposure
- Restart/Reset function
- Synchronization: internal/external (HD/VD, VS)
- High shock and vibration tolerance

ACCESSORIES

Compact camera adaptor

DC-700/700CE

- Compact, lightweight
- Two video outputs
- External sync IN/OUT
- Trigger input/WEN output
- New EIA standard 12 pin assignment
- Dimensions:
110(W) x 53(H) x 160(D) mm



12 pin camera cable (CE standard)

- CCXC-12P02N (2m)
- CCXC-12P05N (5m)
- CCXC-12P10N (10m)
- CCXC-12P25N (25m)

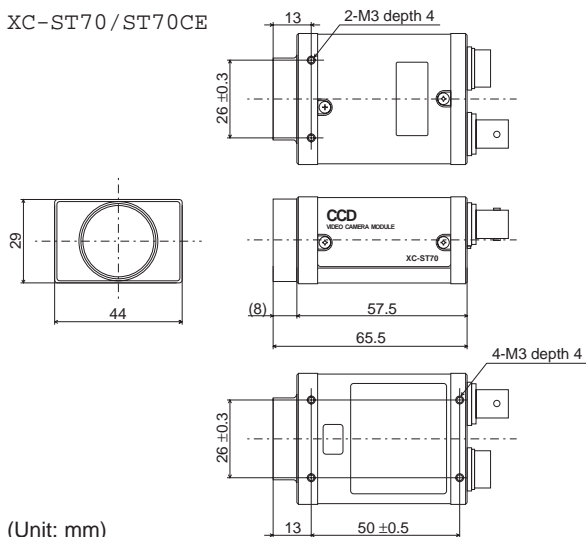


SPECIFICATIONS

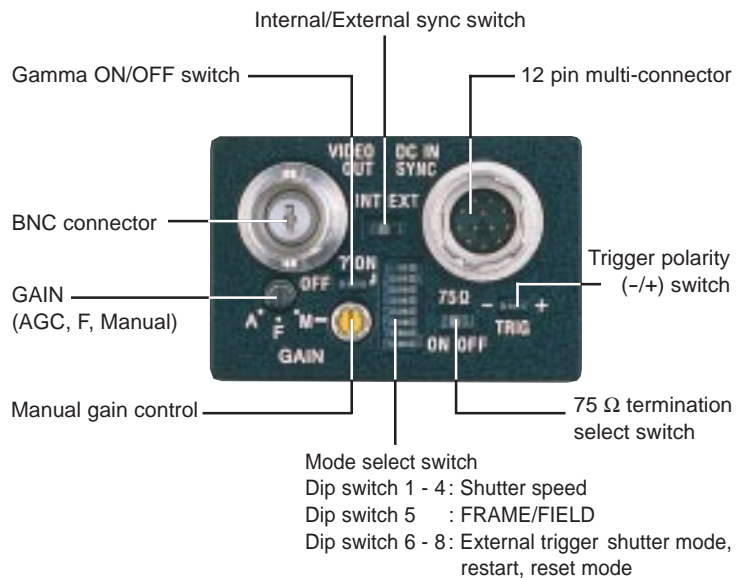
	XC-ST70	XC-ST70CE
Image device	2/3" Interline Transfer HAD CCD	
Effective picture elements	768(H) x 494(V)	752(H) x 582(V)
Signal system	EIA standard	CCIR standard
Horizontal frequency	15.734kHz±1%	15.625kHz±1%
Vertical frequency	59.94Hz	50Hz
Lens mount	C mount	
Flange back	17.526 mm	
Sync system	Internal / External (auto)	
External Sync system	HD / VD (2 ~ 5 Vp-p)	
External Sync frequency	Horizontal sync frequency +/- 1%	
Jitter	less than +/- 50 nsec	
Scanning system	525lines, 60fields/s, 2:1 Interlaced	625lines, 50fields/s, 2:1 Interlaced
Video output	1.0 Vp-p, negative, 75 Ω unbalanced	
Horizontal resolution	570 TV lines	560 TV lines
Sensitivity	400lux, F8 (γ compensation ON, 0dB)	
Minimum illumination	0.3lux (F1.4, AGC ON, without IR cut filter)	
S/N ratio	60dB	58dB
Gain	AGC (018dB) / Manual (018dB) / Fixed (0dB) Selectable	
Gamma	ON / OFF	
Normal shutter	1/100 ~ 1/10,000 s	1/120 ~ 1/10,000 s
External trigger shutter	1/4 ~ 1/10,000 s	1/4 ~ 1/8,000 s
Power requirements	DC12V±10%	
Power consumption	2.1 W	
Dimensions	44(W) x 29(H) x 57.5(D)mm	
Mass	105g	
Operation temp./mois.	-5°C ~ +45°C/20 ~ 80%	
Storage temp./mois.	-30°C ~ +60°C/20 ~ 95%	
Vibration	10G (20 ~ 200Hz)	
Shock resistance	70G	
MTBF	70,600 hrs.	
Regulations	UL1492, FCC Class A Digital Device, CE (EN50081-2 + EN50082-2), AS4251.1 + AS4252.2	
Supplied accessories	Lens mount cap (1), Operating instructions (1)	

DIMENSIONS & REAR PANEL

XC-ST70 / ST70CE



(Unit: mm)



- Sony Electronics Inc. (USA) HQ
- Sony of Canada Ltd. (CANADA)
- Sony Broadcast & Professional Europe HQ
- Germany
- France
- UK
- Nordic
- Italy
- Sony Corp. B&P Systems Co. ISP Dpt. (JAPAN)

1 Sony Drive Park Ridge, NJ 07656
 115 Gordon Baker Rd, Toronto, Ontario M2H 3R6
 15, rue Floreal 75831 Paris Cedex 17, France
 Hugo-Eckener-Str. 20, 50829 Koln
 15, rue Floreal 75831 Paris Cedex 17
 The Heights, Brooklands, Weybridge, Surrey KT13 0XW
 Per Albin Hanssons vag 20 S-214 32 Malmo Sweden
 Via Galileo Galilei 40 I-20092 Cinisello Balsamo, Milano
 4-16-1 Okata, Atsugi-shi, Kanagawa-ken, 243-0021

(TEL:+1-800-686-7669)
<http://www.sony.com/professional>
 (TEL:+1-416-499-1414) (FAX:+1-416-497-1774)
 (TEL:+33-1-40-87-35-11) (FAX:+33-1-40-87-35-17)
<http://www.bpe.sony-europe.com>
 (TEL:+49-221-5966-322) (FAX:+49-221-5966-491)
 (TEL:+33-1-49-45-41-62) (FAX:+33-1-47-31-13-57)
 (TEL:+44-990-331122) (FAX:+44-1932-817011)
 (TEL:+46-40-190-800) (FAX:+46-40-190-450)
 (TEL:+39-2-618-38-431) (FAX:+39-2-618-38-402)
 (TEL:+81-462-27-2345) (FAX:+81-462-27-2347)